



ITEM #: _____ QTY: _____
 MODEL #: _____
 PROJECT NAME: _____

100918

3601 S. Banker St. Effingham, IL 62401 • P.O. BOX 609 • Ph: (888) 431-2667 • Fax: (800) 433-2667

"PB-HSS" HAND SINK SIDE SPLASH KITS - 18GA
STAINLESS STEEL, INCLUDES HARDWARE INSTALLATION

FEATURES:

- KITS ARE PURCHASED UNINSTALLED
- INCLUDES HARDWARE INSTALLATION
- SIDE SPLASH EACH SOLD SEPARATELY

MATERIAL:

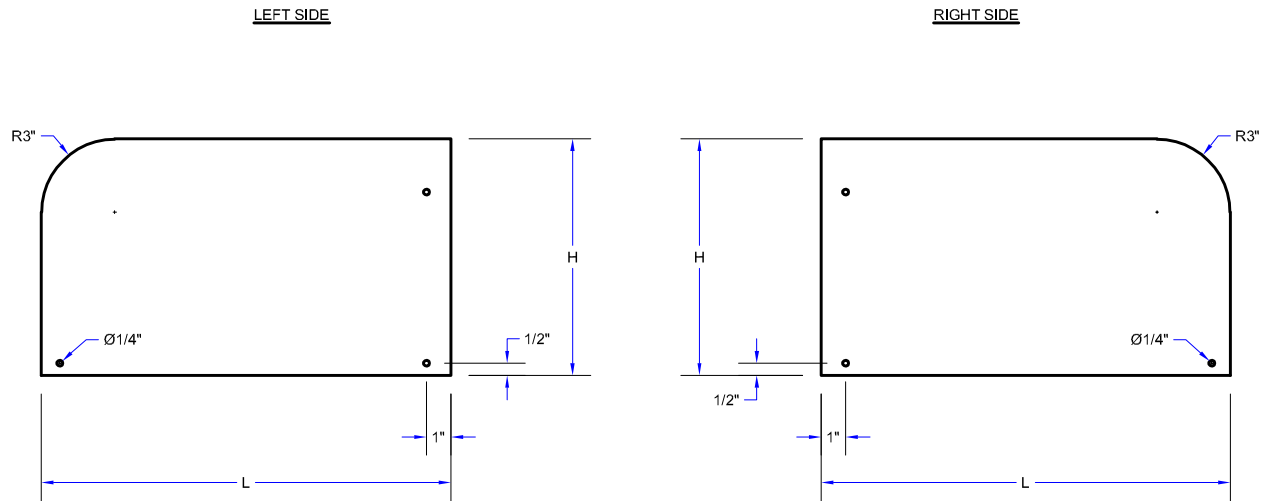
- 18GA TYPE 300 SERIES STAINLESS STEEL



HAND SINK SIDE SPLASH KITS - 18GA

MODEL #	QTY
PB-HSS-99L	
PB-HSS-99R	
PB-HSSD1410L	
PB-HSSD1410R	
PB-HSSS1410L	
PB-HSSS1410R	

DETAILED SPECIFICATIONS



HAND SINK SIDE SPLASH KITS - 18GA

MODEL #	DESCRIPTION	SIZE (L X H)
PB-HSS-99L	LH	14-1/4" X 9-3/4"
PB-HSS-99R	RH	14-1/4" X 9-3/4"
PB-HSSD1410L	LH - DM FAUCET	16-3/4" X 9-3/4"
PB-HSSD1410R	RH - DM FAUCET	16-3/4" X 9-3/4"
PB-HSSS1410L	LH - SM FAUCET	15-1/4" X 9-3/4"
PB-HSSS1410R	RH - SM FAUCET	15-1/4" X 9-3/4"

SOME UNITS SHIP UNASSEMBLED FOR REDUCED SHIPPING COST. ALL DIMENSIONS ARE TYPICAL. TOLERANCE +/- .500"
 John Boos & Co. is constantly engaged in a program of improving products and therefore reserves the right to change specifications without prior notice.



3601 S. Banker St. • Effingham, IL 62401 • PO BOX 609 • quotes@johnboos.com

100918



www.johnboos.com